



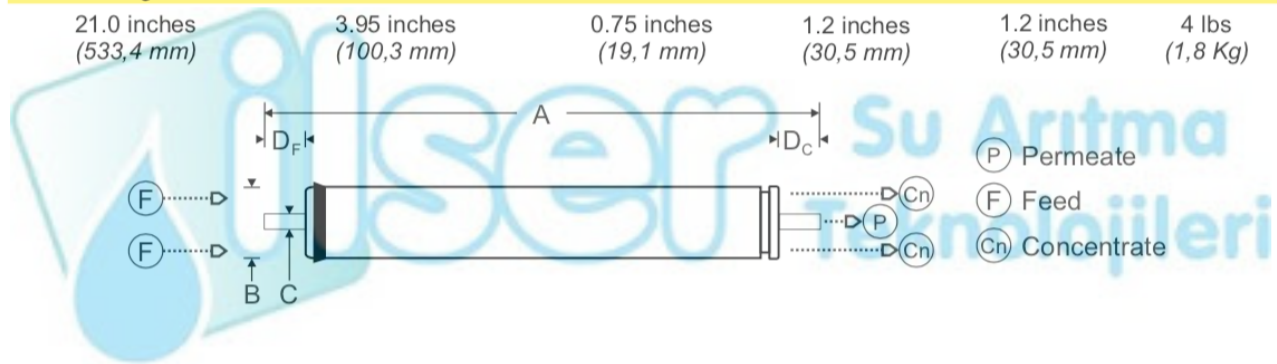
Type	Configuration: Spiral Wound	Membrane Polymer: Composite Polyamide	Brine Spacer Material: Polypropylene
-------------	---------------------------------------	---	--

Specifications	Permeate Flow: 1150 gpd (4,4 m ³ /d)	Salt Rejection: 99,0% nominal (98,0% minimum)	Nominal Membrane Area: 35ft ² (3,2m ²)
-----------------------	--	--	--

Test Conditions (After 30 min of operation)	Solution NaCl 1500 ppm	Applied Pressure: 150 psi (10,3 bar)	Operating Temperature: 77 °F (25 °C)	Permeate Recovery: 10%	pH Range: 6,5 ÷ 7,0
---	----------------------------------	---	---	----------------------------------	-------------------------------

Dimensions

A Total Length	B ATD Diameter	C Connection Diameter	D _F Core Tube Extension Feed Side	D _C Core Tube Extension Conc. Side	Weight
21.0 inches (533,4 mm)	3.95 inches (100,3 mm)	0.75 inches (19,1 mm)	1.2 inches (30,5 mm)	1.2 inches (30,5 mm)	4 lbs (1,8 Kg)



Maximum Operating Limits

Operating Pressure		Temperature	Pressure Drop	Feed Flow	Chlorine Concentration	Feedwater SDI (15min)	Feedwater Turbidity
Fiberglassed	Tape Wrapped						
600 psi (41,4 bar)	300 psi (20,7 bar)	113 °F (45 °C)	10 psi (0,7 bar)	12 gpm (45,4 lpm)	<0,1 ppm	5,0	1,0 NTU

Other Operating Limits

Feedwater pH	Minimum ratio of concentrate to permeate flow for any element
3,0 ÷ 10,0	5:1

The limitations shown in Operating Limits are for general use. The values may be more conservative for specific projects to ensure the best performance and longest life of the membrane.

Notice: Permeate flow for individual elements can vary -15/+25 percent of listed flow. Elements are vacuum sealed in a polyethylene bag containing less than 1.0% sodium meta-bisulfite and 10% propylene glycol solution.

Guidelines: Permeate obtained from first hour of operation should be discarded.

Avoid static permeate-side backpressure at all times.

These membranes may be subject to drinking water application restrictions in some countries: please check the application status before use and sale.

For element loading use only glycerine to lubricate o-rings and brine seal.

The customer is fully responsible for the effects of incompatible chemicals on elements. The presence of free chlorine and other oxidizing agents will cause membrane failure, the damage is not covered under warranty.

Oltremare believes the information and data contained herein to be accurate and useful. The information and data are offered in good faith, but without guarantee, as conditions and methods of use of our products are beyond our control. Oltremare assumes no liability for results obtained or damages incurred through the application of the presented information and data. It is the user's responsibility to determine the appropriateness of Oltremare's products for the user's specific end uses.

No performance warranties are given; all implied warranties of merchantability or fitness for a particular purpose are expressly excluded. Consult factory for detailed warranty information.

We reserve the right to modify or amend specifications without prior notice.